

## General applications



Use as an ON-OFF valve for: chemical products, for water and pneumatic installations, gas, water, vacuum. For steam within limited working conditions and with special seals. All parts have to be adequately degreased if the valves have to be used for oxygen.

For special utilizations ascertain the compatibility with process features and the corrosion resistance also by the relevant table.

## Technical data

**KP2551** – female / female  
**KP2552** – male / female

Construction:	AISI 316
Certifications:	DVGW za plin TÜV za zrak
Diameter:	DN 10 - 3/8" do DN 50 - 2"
Pressure:	40 do 160 bar
Temperature limits:	-20°C do + 150°C
ISO 5211 mounting plate	
Stem:	Blow-out proof stem from 3/4" to 2"
Connections:	F/F UNI-ISO 7/1 Rp – DIN 2999 parallel; M/F (male UNI-ISO 7/1 R taper, female parallel)
Operation devices:	lever
TRIPLE stem-packing with labyrinth effect and automatic adjustment by Belleville washers	
WRAPPING SEATS	
NON-WETTED parts in stainless steel	

## Special executions

15% GLASS-FILLED PTFE. Temperature limits –20°C + 175°C  
PTFE+CARBOGRAPHITE: use up to 195°C, for steam up to 180°C  
FEMALE CONNECTIONS: NPT ANSI B1.20.1

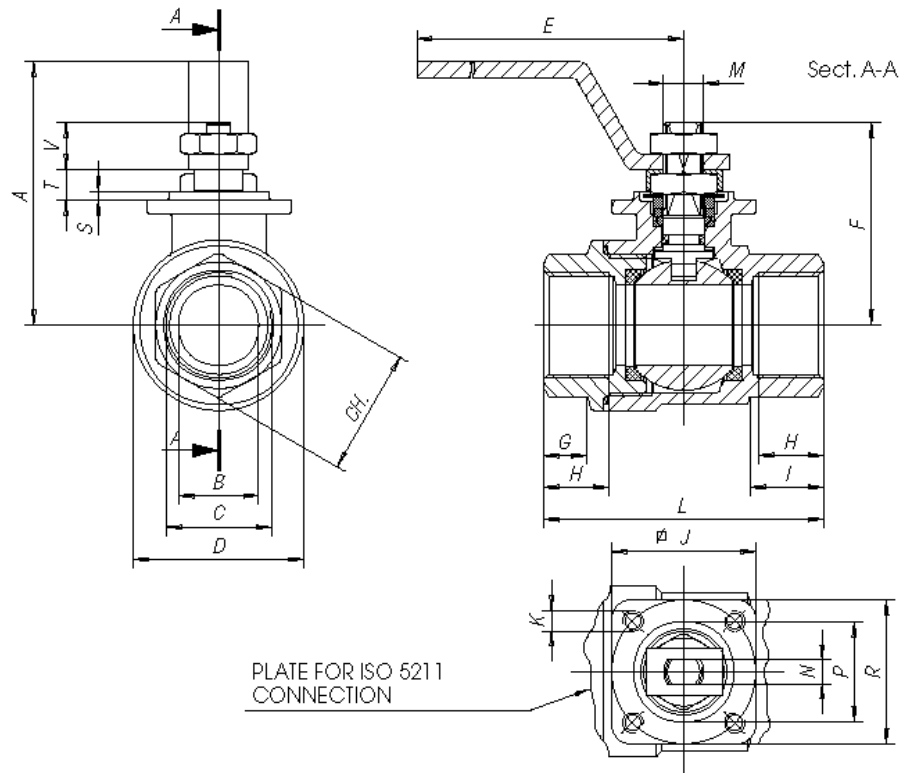
Stems with antistatic device from 3/4" to 2"

Degreased version

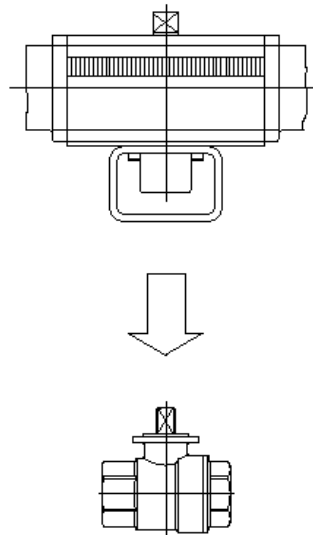
Polished valve

For further special requests please consult our technical/commercial service

### Dimension

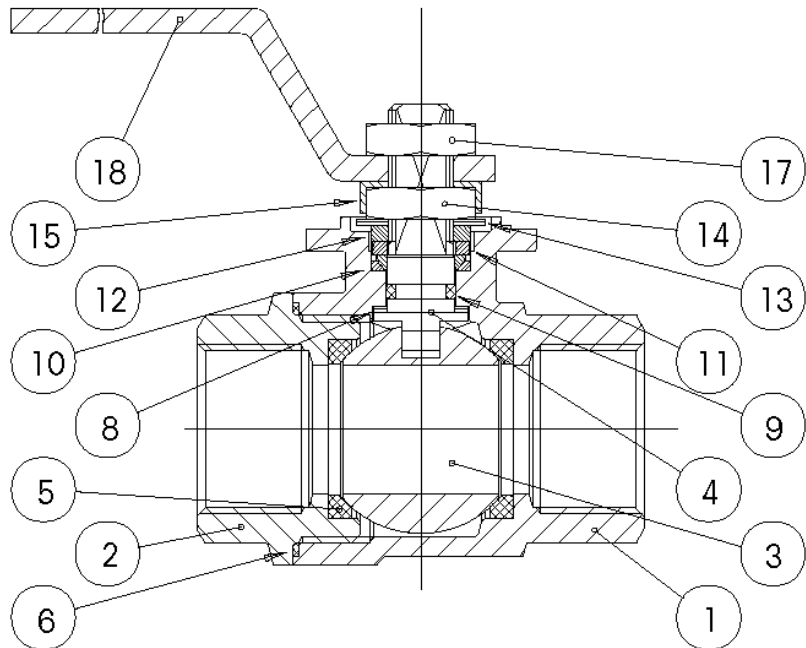


Type	C	A	B	D	E	F	G	H	I	J	K	L	M	N	P	R	S	T	V	hex. key	oct. key	ISO	w. (gr) M/F	w. (gr) F/F
KP2551X203	3/8"	52	10	29	110	37	8.5	11.4	13.5	36	M5	50	M8	4	25	36	2	6	9.5	21.5	-	F03	250	235
KP2551X204	1/2"	55	15	34	110	42	10	15	18	36	M5	60	M8	4	25	36	2	6	9.5	26.5	-	F03	350	315
KP2551X205	3/4"	66	20	42.5	140	52	11.5	16.3	18	36	M5	70	M10	6	25	36	2	7.5	12	31.5	-	F03	565	510
KP2551X206	1"	70	25	50.5	140	56	14	19.1	27.5	36	M5	85	M10	6	25	36	2	7.5	12	40.5	-	F03	855	765
KP2551X207	1 1/4"	85	32	63	180	68	15.5	21.4	28.5	42	M5	95	M10	8	30	42	3	9.5	13.5	-	49.5	F04	1395	1270
KP2551X208	1 1/2"	91	40	75.5	180	74	18.5	21.4	23	42	M5	105	M10	8	30	42	3	9.5	13.5	-	54.5	F04	1945	1810
KP2551X209	2"	105	50	91	230	87	22.5	25.7	35	50	M6	125	M10	10	35	50	3	11.3	17.8	-	69.5	F05	3320	3160



By removing the lever handle, the valve can be directly mounted on an actuator by the special bracket with screws, the stem adapter and by replacing the operation stop (part 12) of the valve (kit supplied upon request).

### Material



REF.	PART	MATERIAL	DIN MAT.	QTY
1	BODY	AISI 316	1.4408	1
2	FEMALE END	AISI 316	1.4408	1
3	BALL	AISI 316	1.4401	1
4	STEM	AISI 316	1.4401	1
5	SEAT	PTFE		2
6	SIDE SEALING RING	PTFE		1
8	UPPER SEALING RING	PTFE		2
9	STEM O-RING	VITON		1
10	UPPER SEALING COUPLE	PTFE		1
11	PACKING GLAND	AISI 304	1.4301	1
12	OPERATION STOP	AISI 304	1.4301	1
13	BELLEVILLE WASHERS	AISI 304	1.4310	2
14	STEM RETAINING NUT	AISI 304	1.4301	1
15	FIXING NUT PLATE	AISI 304	1.4301	1
17	LOCKING NUT	AISI 304	1.4301	1
18	LEVER HANDLE	AISI 304	1.4301	1

### Torque

### Breakaway torques in Nm

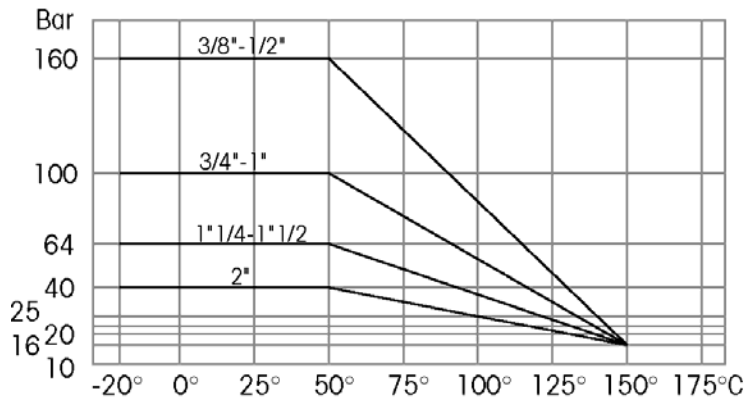
PN - bar	DN size	10 3/8"	15 1/2"	20 3/4"	25 1"	32 1 1/4"	40 1 1/2"	50 2"
	0		1.6	3.2	3.6	4.6	11,5	19
16		1.8	4.3	4.9	5.9	15	24	38
40		2.5	5.1	6	6.9	16,7	28,6	42
64		3.2	5.6	6.8	8	18,4	32	
100		3.8	6.5	8.5	10			
160		5	8					
Nm								

The values in Nm may vary as a function of the seals material, temperature and type of medium. For a firm operation of the various types of actuators, in the different working conditions it is necessary to consider a safety factor of 1.5. During operation, with frequent open and close cycles, the operating torque can decrease considerably in comparison with the initial breakaway torque.

### Temperature Pressure

### PRESSURE/TEMPERATURE DIAGRAM

At each pressure level corresponds the admissible temperature level.



### LOSS OF HEAD DIAGRAM/FLOW RATE

The Kv value is the flow rate causing a pressure drop of 1 bar.

