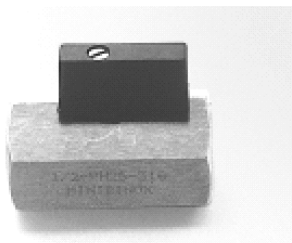


## General applications



Use as an ON-OFF valve for: in sight segments in industrial installations, heating, ventilation, air conditioning, compressed air, as tank discharger and especially in instrumentation.

For special utilisations ascertain the compatibility with process features and the corrosion resistance also by the relevant table.

## Technical data

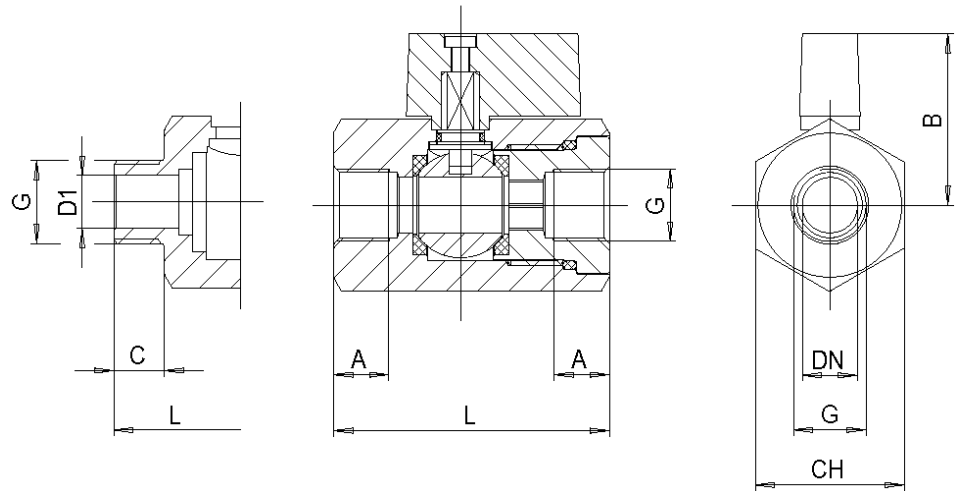
**KP2641**    female / female  
**KP2642**    male / female

Construction:                      AISI 316  
Diameter:                            DN 6 - 1/8" to DN 15 - 1/2"  
Pressure:                             Max. 25 bar  
Temperature limits:                from -20°C to + 150°C  
BLOW-OUT PROOF stem  
Connection:                        F/F UNI-ISO 228 (gas parallel )  
    M/F UNI-ISO 228 (gas parallel)  
NON-WETTED parts in stainless steel  
Operation devices:                  Handle lever

## Special executions

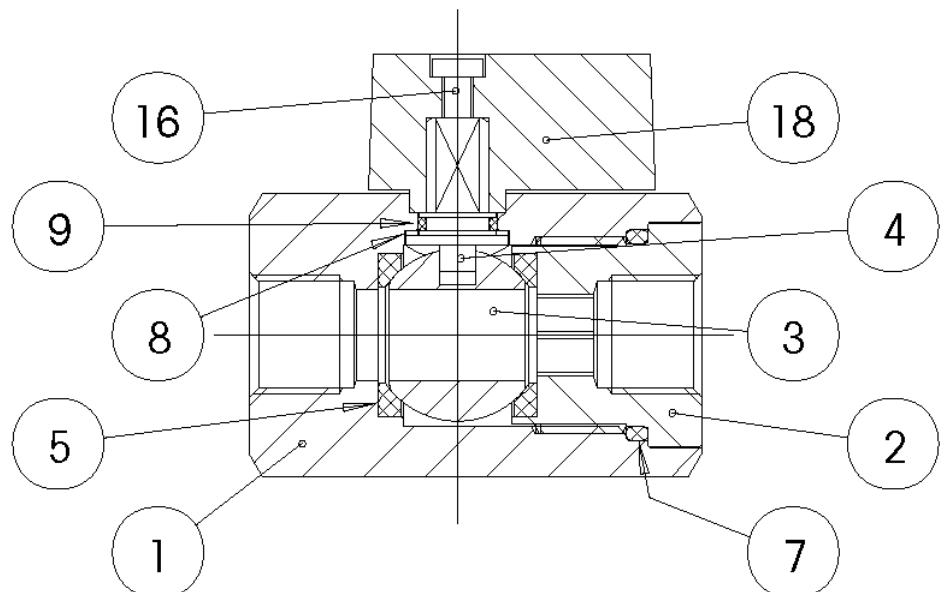
BODY finish: polishing  
For further special requests please consult our technical/commercial service

## Dimension



Type	G	DN	A	B	C	L	D1 M/F	CH	W. (g) F/F	W. (g) M/F
KP2641X401	1/8"	6	10	30	9	50	5.5	27	210	175
KP2641X402	1/4"	8	10	30	11	50	8	27	200	170
KP2641X403	3/8"	10	10	30	11	50	10	27	190	165
KP2641X404	1/2"	10	10	30	11	50	10	27	175	160

## Material

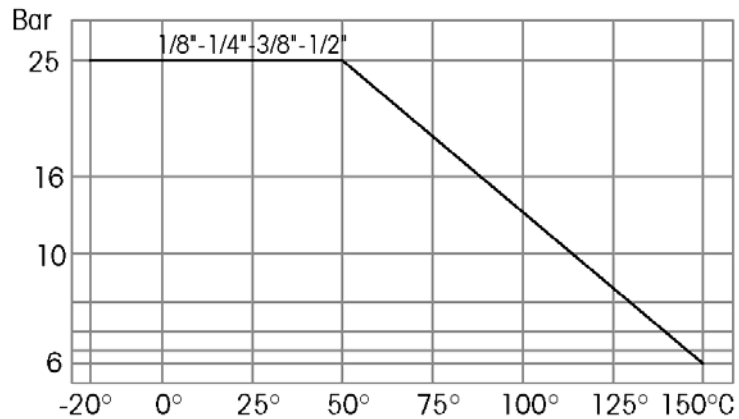


REF.	PART	MATERIAL	DIN MAT.	QTY
1	BODY	AISI 316	1.4408	1
2	FEMALE END	AISI 316	1.4408	1
3	BALL	AISI 316	1.4401	1
4	STEM	AISI 316	1.4401	1
5	SEAT	PTFE		2
7	END O-RING	VITON		1
8	UPPER SEALING RING	PTFE		2
9	STEM O-RING	VITON		1
16	LOCKING SCREW	AISI 304	1.4301	1
18	LITTLE LEVER HANDLE	NYLON		1

## Temperature Pressure

### PRESSURE/TEMPERATURE DIAGRAM

At each pressure level corresponds the admissible temperature level.



### LOSS OF HEAD DIAGRAM/FLOW RATE

The Kv value is the flow rate causing a pressure drop of 1 bar.

