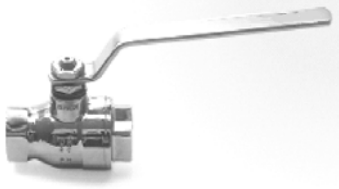


General applications



Use as an ON-OFF valve for: chemical, sanitation and food products, for water and pneumatic installations, gas, water, vacuum. For steam within limited working conditions and with special seals. All parts have to be adequately degreased if the valves have to be used for oxygen. For special utilizations ascertain the compatibility with process features and the corrosion resistance also by the relevant table.

Technical data

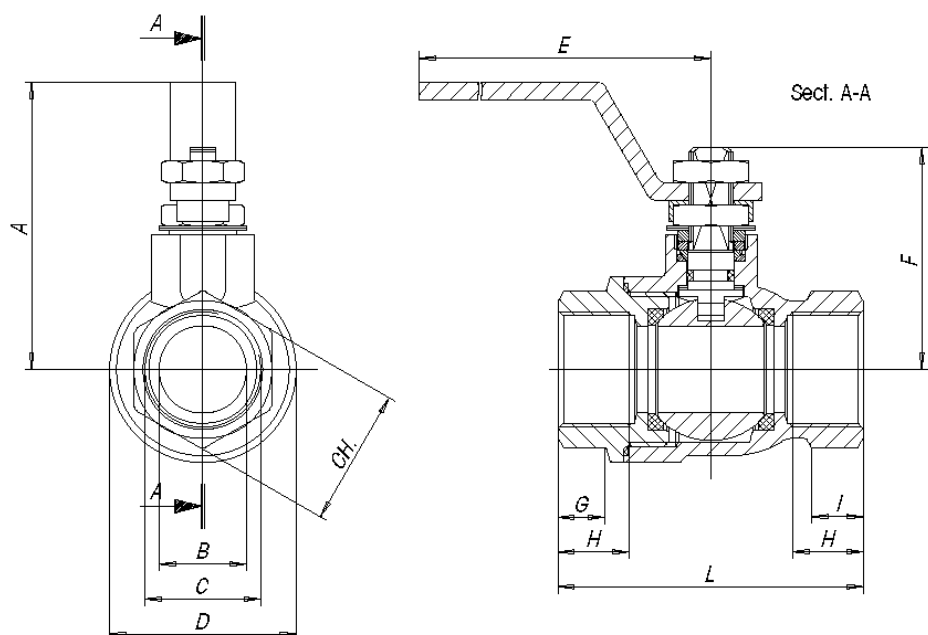
KP2621 female / female	w/lever
KP2622 male / female	w/lever
KP2631 female / female	w/T-handle up to 1"
KP2632 male / female	w/T-handle up to 1"

Construction:	AISI 316
Diameter:	DN 8 - 1/4" to DN 50 – 2"
Pressure:	From 40 to 100 bar
Temperature limits:	From -20°C to + 150°C
Stem:	BLOW-OUT PROOF stem
Connections:	F/F UNI-ISO 7/1 Rp – DIN 2999 parallel M/F (male UNI-ISO 7/1 R taper, female parallel)
Operation device:	lever or T-handle
TRIPLE stem-packing with labyrinth effect and automatic adjustment by Belleville washers	
NON-WETTED parts in stainless steel	
WRAPPING SEATS	

Special executions

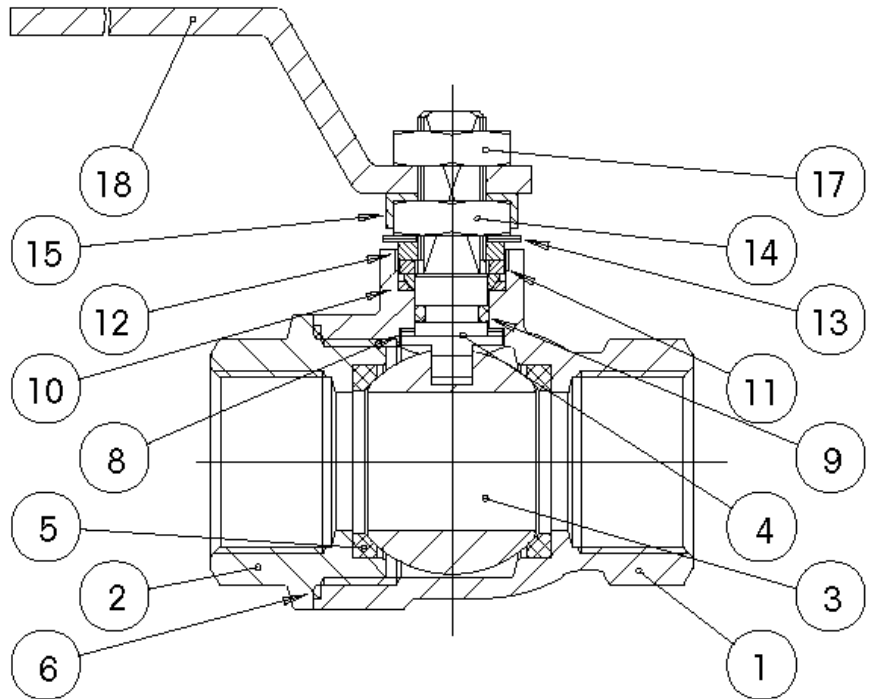
15% GLASS-FILLED PTFE. Temperature limits –20°C + 175°C
PTFE+CARBOGRAPHITE: use up to 195°C, for steam up to 180°C
FEMALE CONNECTIONS: NPT ANSI B1.20.1
Stems with antistatic device from 3/4" to 2"
Degreased version
Available also in SUNNY WP version, obtained from SUN WP series

Dimension



Type	C	A	B	D	E	F	G	H	I	L	hex. key	oct. key	W. (g) MF	W. (g) FF.
KP2621X202	1/4"	52	8	29	110	37	8.5	11.4	8	50	21.5	-	230	220
KP2621X203	3/8"	52	10	29	110	37	8.5	11.4	8	50	21.5	-	230	205
KP2621X204	1/2"	55	15	34	110	42	10	15	9.5	60	26.5	-	315	275
KP2621X205	3/4"	66	20	42.5	140	52	11.5	16.3	11.5	70	31.5	-	535	465
KP2621X206	1"	70	25	50.5	140	56	14	19.1	13.5	85	40.5	-	805	710
KP2621X207	1 1/4"	85	32	63	180	68	15.5	21.4	16	95	-	49.5	1320	1180
KP2621X208	1 1/2"	91	40	75.5	180	74	18.5	21.4	16	105	-	54.5	1875	1740
KP2621X209	2"	105	50	91	230	87	22.5	25.7	23.5	125	-	69.5	3130	2930

Material



REF.	PART	MATERIAL	DIN MAT.	QTY
1	BODY	AISI 316	1.4408	1
2	FEMALE END	AISI 316	1.4408	1
3	BALL	AISI 316	1.4401	1
4	STEM	AISI 316	1.4401	1
5	SEAT	PTFE		2
6	SIDE SEALING RING	PTFE		1
8	UPPER SEALING RING	PTFE		2
9	STEM O-RING	VITON		1
10	UPPER SEALING COUPLE	PTFE		1
11	PACKING GLAND	AISI 304	1.4301	1
12	OPERATION STOP	AISI 304	1.4301	1
13	BELLEVILLE WASHERS	AISI 301	1.4310	2
14	STEM RETAINING NUT	AISI 304	1.4301	1
15	FIXING NUT PLATE	AISI 304	1.4301	1
17	LOCKING NUT	AISI 304	1.4301	1
18	LEVER HANDLE	AISI 304	1.4301	1

Torque

Breakaway torques in Nm

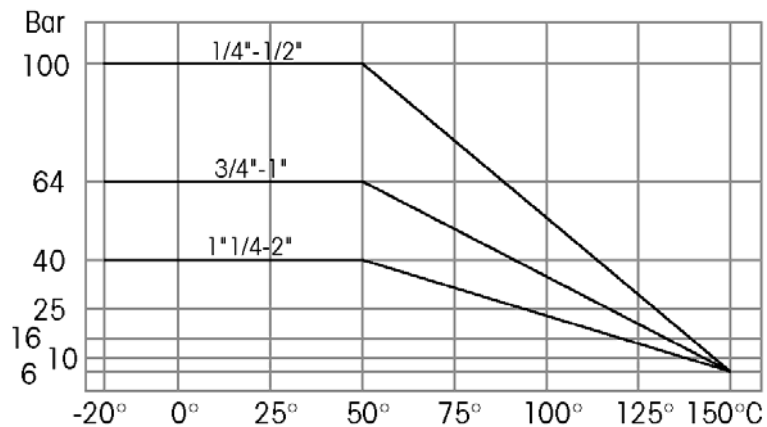
PN - bar	DN size	10 3/8"	15 1/2"	20 3/4"	25 1"	32 5/4"	40 6/4"	50 2"
	0		1.6	3.2	3.6	4.6	11,5	19
16		1.8	4.3	4.9	5.9	15	24	38
40		2.5	5.1	6	6.9	16,7	28,6	42
64		3.2	5.6	6.8	8			
100		3.8	6.5					
Nm								

The values in Nm may vary as a function of the seals material, temperature and type of medium. For a firm operation of the various types of actuators, in the different working conditions it is necessary to consider a safety factor of 1.5. During operation, with frequent open and close cycles, the operating torque can decrease considerably in comparison with the initial breakaway torque.

Temperature Pressure

PRESSURE/TEMPERATURE DIAGRAM

At each pressure level corresponds the admissible temperature level.



LOSS OF HEAD DIAGRAM/FLOW RATE

The Kv value is the flow rate causing a pressure drop of 1 bar.

